

# LITE<sup>VE</sup> Uno



## Technical Datasheet

<b>Charging</b>	Charging standard	Mode 3 as IEC 61851-1 Ed 3.0
	User interface	VELTIUM App (iOS and Android) and Customer Area at <a href="http://www.veltium.com">www.veltium.com</a>
	Status indication	Multicolor LED
	Energy metering	Integrated MID meter
	Access control	Free / Proximity / Manual
	Static power control	Per charger individually Group of chargers
	Dynamic power control	Single charger with CURVE accessory or three phase meter Group of chargers with three phase meter
	Charge scheduling	Yes
	Simultaneous served vehicles	1

<b>Electrical</b>	Frequency	50-60 Hz
	Maximum current	32 A
	Power supply	Single-phase (P+N+PE)
	Voltage	AC 230 V
	Maximum power delivered	7,4 kW
	Number of connectors	1
	Type of connectors	Type 2 socket with shutters. Type 1/2 tethered cable

<b>Safety</b>	Switching device	80 A latching relays
	Protection against electric shock	Class II
	Welded contacts detection	Yes
	Protective earth detection	Yes
	Power supply wrong poles detection	Single phase
	DC earth leakage detection	6 mA

<b>Communication</b>	Bluetooth	BLE 4.2
	WiFi	Yes
	Ethernet	2 x RJ45
	Modem	Optional LTE

## Mechanical

Material	ASA-PC flame retardant (V0)
Mounting	Floor mounting with STAND pedestal
Dimensions	365 x 220 x 105
Weight (5m/7m tethered cable model)	3,75 kg / 4,35 kg
IP Grade	IP54
IK Grade	IK10
Plug holder (tethered cable model)	Integrated
Cable length (tethered cable model)	5 or 7 meters
Power supply connection	Accessible from back side (no need to open the charger for installation)
Cable gauge	16 mm <sup>2</sup>
Colour	White, black, blue and orange

## Environment

Suitable for outdoor usage	Yes
Operation temperature	-25 to 40° C
Storage temperature	-25 to 60° C

## Options

### Connectors



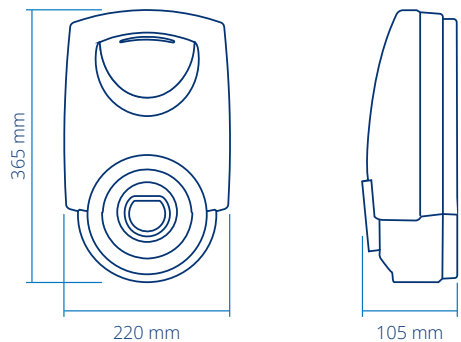
Type 2 socket



Type 1 tethered cable

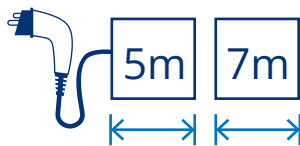


Type 2 tethered cable



### Cable length

Tethered cable model



### Optional Accessories



**CURVE**<sup>VE</sup>  
Single-phase accessory for dynamic power control



**STAND**<sup>VE</sup>  
Floor mounting accessory for 1 or 2 chargers

### Colours



White



Black



Blue



Orange



**SET THREE-PHASE METER**<sup>VE</sup>  
Three-phase meter + gateway  
Set for dynamic power control