

LITE^{VE} Zero



Technical Datasheet

Charging	Charging standard	Mode 3 as IEC 61851-1 Ed 3.0
	User interface	VELTIUM App and Customer Area at www.veltium.com
	Status indication	Multicolour LED
	Energy metering	Integrated MID meter
	Access control	Free / Proximity / Manual
	Static power control	Per charger individually
	Dynamic power control	With CURVE accessory
	Charge scheduling	Yes
	No. of EV that can be charged simultaneously	1

Electrical	Frequency	50-60 Hz
	Maximum current (per phase)	32 A
	Power supply	Single-phase (P+N+PE)
	Voltage	AC 230 V
	Maximum power delivered	7.4 kW
	Number of connectors	1
	Type of connectors	Type 2 socket. Type 1/2 tethered cable

Safety	Switching device	80 A latching relays
	Protection against electric shock	Class II
	Welded contacts detection	Yes
	Protective earth detection	Yes
	Power supply wrong poles detection	Single-phase

Communication	Bluetooth	BLE 4.2
----------------------	-----------	---------

Mechanical	Material	ASA-PC flame retardant (V0)
	Mounting	Floor mounting with STAND pedestal
	Dimensions (mm)	365 x 220 x 105
	Weight (5m / 7m tethered cable model)	3.75 kg / 4.35 kg
	IP Grade	IP54
	IK Grade	IK10
	Plug holder (tethered cable model)	Integrated
	Cable holder (mm)	138 x 120 x 45
	Cable length (tethered cable model)	5 or 7 meters
	Power supply connection	Accessible from back side (no need to open the charger for installation)
	Cable gauge	16 mm ²
	Colour	White, black, blue and orange

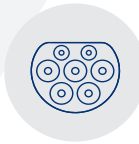
Environmental	Suitable for outdoor use	Yes
	Operating temperature	-25 to 40° C
	Storage temperature	-25 to 60° C

Options

Connectors



Type 2
tethered cable



Type 2 socket



Type 1
tethered cable

Colours



White



Black

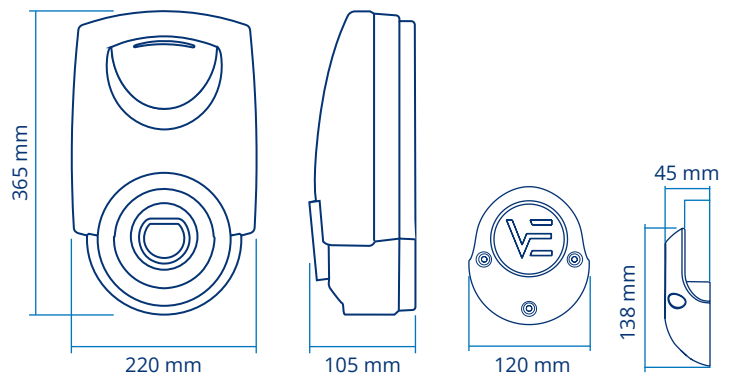


Blue



Orange

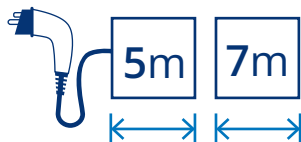
Dimensions



Accessories

Cable length

Tethered
cable model



CURVE^{VE}



STAND^{VE}