

SET THREE-PHASE METER^{VE}

Three-phase meter + gateway Set for dynamic power control and integration with photovoltaic generation.



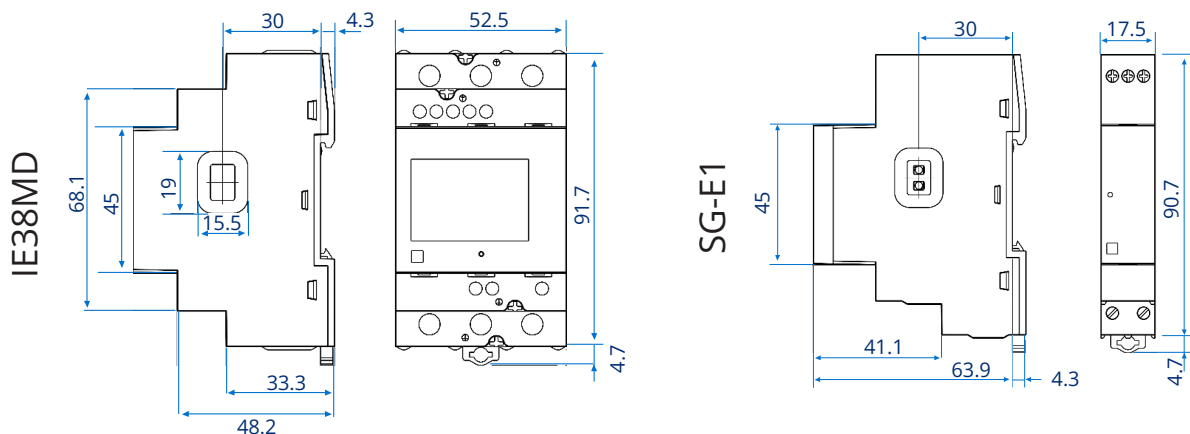
Technical Datasheet

IE38MD

Mechanical	Dimensions (mm)	52.5 x 96.4 x 68.1
	Mounting	DIN rail
Electrical	Power supply	Three-phase (3P+N)
	Maximum current	80 A
	Voltage	3 x 400 V AC
	Frequency	50 - 60 Hz
	Phase cable gauge	2.5 - 25 mm ²
	Neutral cable gauge	0.5 - 1.5 mm ²
	Certification	MID

SG-E1

Mechanical	Dimensions (mm)	17.5 x 95.4 x 68.2
	Mounting	DIN rail
Electrical	Power supply	Single-phase (P+N)
	Voltage	85 - 265 V AC
	Cable gauge	0.5 - 3 mm ²
Communication	Link to IE38MD meter	Infrared



* Source: Iskra manuals